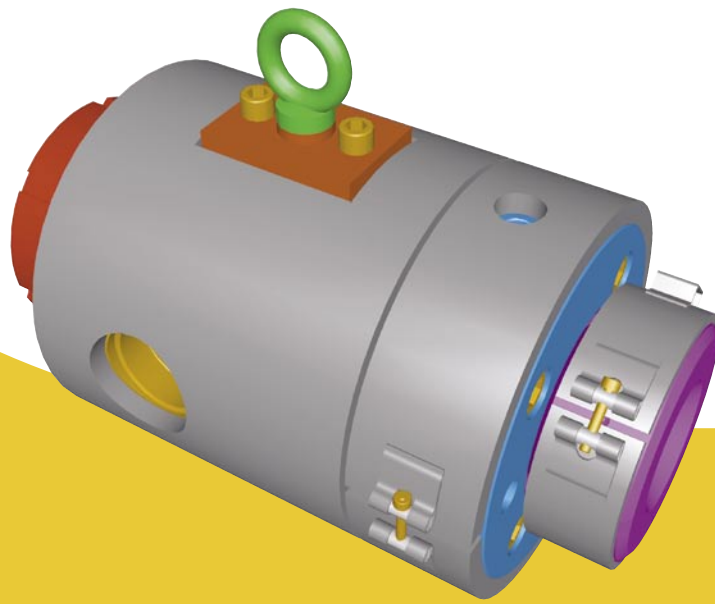


**UNITEK**



**Crossheads for Single Extrusion**  
**Querspritzköpfe für Einfachextrusion**

**We Make Leading Products Happen. [www.unitek.at](http://www.unitek.at)**

## Crossheads for Single Extrusion

### Head Type

The number mentioned in the type specification identifies the size of the engaged tools. All dimensions must be seen as guide figures. For the selection of the most suitable head size the following parameters are decisive: product dimensions, required capacity and the selected material. The table comprises the most popular types of heads for single extrusion with one extruder. Heads size 50 and bigger are applicable for one or two small additional marking stripes with max. 10%.

### Centering

<b>S</b>	fixed centered
<b>M</b>	manually centered
<b>MS</b>	manually or fixed centered

### Head casing

<b>CC</b>	compact design, made from one solid block
<b>C</b>	modular design, with a separation between basic head and front head allowing for the use of different front head designs.

### Distribution cartridges

All melt distributors are manufactured in free flow design with single or double distribution curves without holes or slots. For special materials additional cartridges are available.

## Querspritzköpfe für Einfachextrusion

### Kopftype

Die angegebene Zahl in der Typenbezeichnung bezeichnet die Größe der eingesetzten Werkzeuge. Alle Angaben sind als Richtwerte anzusehen. Für die Auswahl der geeigneten Kopfgröße sind neben den Produktabmessungen auch Durchsatz und Material, sowie Verfahren maßgebend. Die Tabelle beinhaltet die gängigsten Modelle für die Einschichtextrusion mit einem Extruder. Bei Köpfen ab Größe 50 können zusätzlich ein oder zwei kleine Markierungsstreifen mit max. 10% produziert werden.

### Zentrierung

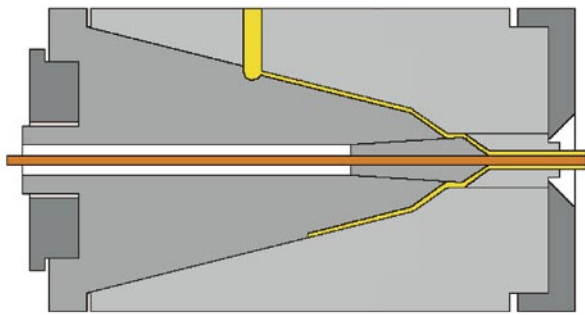
<b>S</b>	fest zentriert
<b>M</b>	manuell zentriert
<b>MS</b>	manuell oder fest zentriert

### Kopfgehäuse

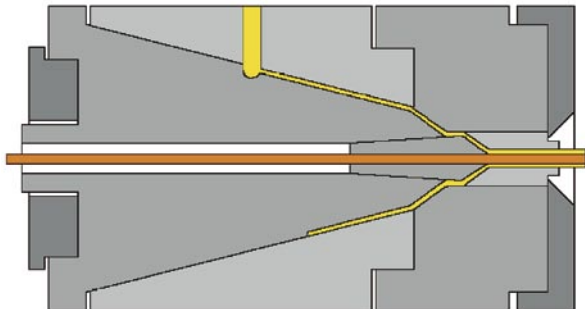
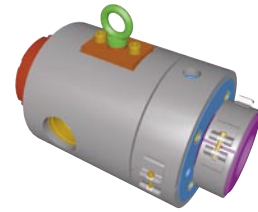
<b>CC</b>	in Kompaktbauweise aus einem Block gefertigt
<b>C</b>	in Modulbauweise, mit einer Trennung zwischen Grundkopf und Vorkopf ermöglicht den Einsatz unterschiedlicher Vorköpfe.

### Verteilpinolen

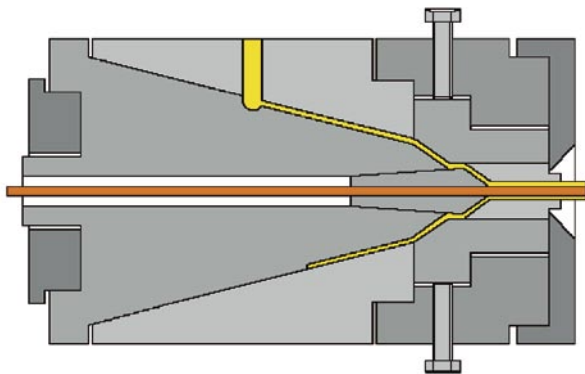
Alle Masseverteiler sind nach dem Prinzip der freien Masseverteilung mit einfacher oder doppelter Verteilkurve, ohne Bohrungen oder Schlitzten ausgelegt. Für spezielle Materialien stehen Pinolen in Sonderausführung zur Verfügung.



Type ...SCC



Type ...SC



Type ...MC



Type				Extrusion		Centering Zentrierung			Head Casing Kopf- gehäuse	
	d1min*	d1max*	d2max*	single layer	stripe	S	M	MS	CC	C
UXH4SCC	0.10/0.003	2.5/0.098	4/0.157	●		●			●	
UXH7SCC	0.25/0.009	5/0.196	7/0.275	●		●			●	
UXH7SC	0.25/0.009	5/0.196	7/0.275	●		●				●
UXH7MC	0.25/0.009	5/0.196	7/0.275	●			●			●
UXH14SC	0.5/0.019	12/0.472	14/0.551	●		●				●
UXH14MC	0.5/0.019	12/0.472	14/0.551	●			●			●
UXH20SC	1/0.039	12/0.472	20/0.787	●		●			●	
UXH30SC	3/0.118	25/0.984	30/1.181	●		●				●
UXH30MC	3/0.118	25/0.984	30/1.181	●			●			●
UXH50SCC	5/0.196	45/1.771	50/1.968	●		●			●	
UXH50SCC-S	5/0.196	45/1.771	50/1.968	●	●	●			●	
UXH50MCC-S	5/0.196	45/1.771	50/1.968	●	●		●		●	
UXH70MSCC-S	7/0.275	60/2.362	70/2.755	●	●			●	●	
UXH100MCC	25/0.984	95/3.740	100/3.937	●			●		●	
UXH100MCC-S	25/0.984	95/3.740	100/3.937	●	●		●		●	
UXH120MCC-S	30/1.181	110/4.330	120/4.724	●	●		●		●	

\* around

mm/inch mm/inch mm/inch

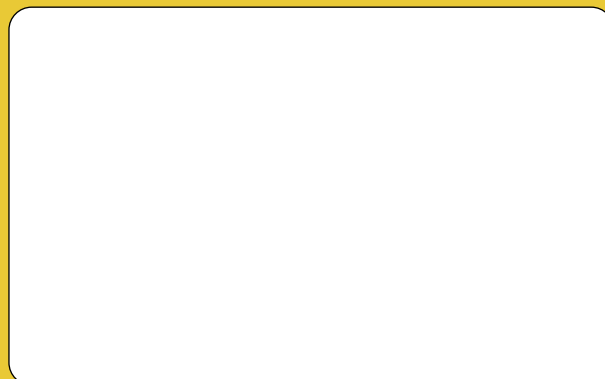


## THE COMPANY AT A GLANCE

UNITEK is the worldwide leading manufacturer of fixed centered crossheads and add-on technology for the wire and cable industry. The company was founded in 1979 and ever since has been dedicated to providing innovative solutions for increased productivity to the extrusion industry around the world. Close contacts with cable and machinery manufacturers, high standards of research and development as

well as state-of-the-art production facilities for highest precision and quality have been the basis of UNITEK's philosophy from the very beginning. The UNITEK team of engineers, technicians and managers has a very strong background in the extrusion and cable industry and is dedicated to providing cutting-edge solutions for the requirements encountered by today's cable industry.

- Crossheads (fixed centered as well as manually centered) including add-on technology such as tips & dies, colour changing systems, bypasses, adapters, support trolleys and cartridge extraction devices
- Extrusion heads made of special steel alloy with unique curing technique
- Extremely durable crossheads with lifetimes of more than 60.000 hours of operation
- Close to zero scrap during start-up (using fixed-centred crossheads)
- Extremely high precision manufacturing
- Unrivalled concentricity during coating for reduced cost of materials
- Over 10 worldwide patents
- 800 satisfied customers in over 40 countries worldwide



Unitek Maschinenbau- und Handelsges. mbH | Vienna | Austria

Tel.: (43-1) 332 55 10 Fax.: (43-1) 332 55 15 E-mail: [office@unitek.at](mailto:office@unitek.at) Internet: [www.unitek.at](http://www.unitek.at)

**We Make Leading Products Happen.** [www.unitek.at](http://www.unitek.at)