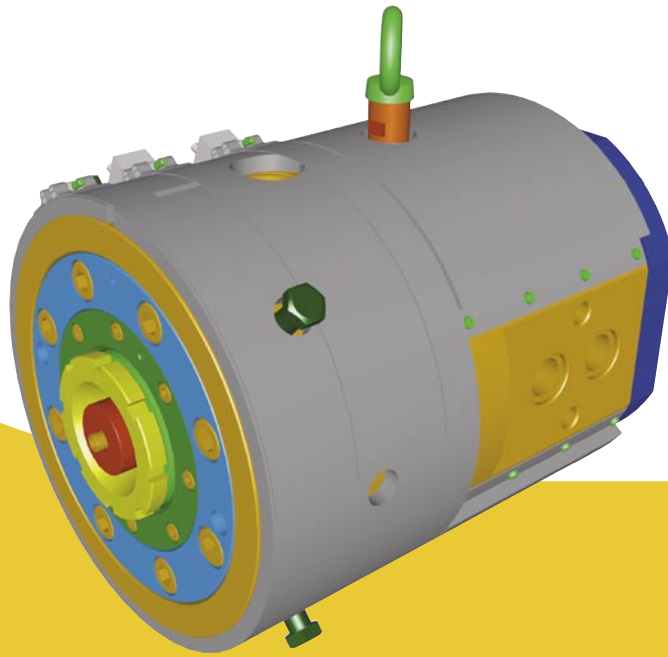


UNITEK



Crossheads for Co-Extrusion
Querspritzköpfe für Koextrusion

We Make Leading Products Happen. www.unitek.at



Crossheads for Co-Extrusion

Head Type

The number mentioned in the type specification identifies the size of the extrusion tooling. All dimensions must be seen as guide figures. For the selection of the most suitable head size the following parameters are decisive: product dimensions, required capacity and the selected material. The table includes the most popular types of heads for co-extrusion with one main and one or two secondary extruders.

Application

By using different program inserts you may select between skin extrusion, stripe extrusion or single layer extrusion. Crossheads Type **SC-V-S** are designed for skin and single marking stripe production.

Centering

S fixed centered
MS manually or fixed centered

Head casing

CC compact design made from one solid block
C modular design with a separation between basic head and front head allowing for the use of different front head designs, (i.e. striping, or skin pass; in future)

Distribution cartridges

All melt distributors are manufactured in free flow design with single or double distribution curves without holes or slots. For special materials additional cartridges are available.

Querspritzköpfe für Koextrusion

Kopftyp

Die angegebene Zahl in der Typenbezeichnung bezeichnet die Größe der eingesetzten Werkzeuge. Alle Angaben sind als Richtwerte anzusehen. Für die Auswahl der geeigneten Kopfgröße sind neben den Produktabmessungen auch Durchsatz und Material, sowie Verfahren maßgebend. Die Tabelle beinhaltet die gängigsten Modelle für Koextrusion mit einem Haupt- und einem oder zwei Beistelleextrudern.

Einsatzbereich

Durch die Verwendung unterschiedlicher Programmeinsätze kann zwischen Skinextrusion, Streifenextrusion oder Einschichtextrusion variiert werden. Köpfe der Type **SC-V-S** sind so ausgelegt, das eine Skin und ein zusätzlicher Markierungsstreifen produziert werden können.

Zentrierung

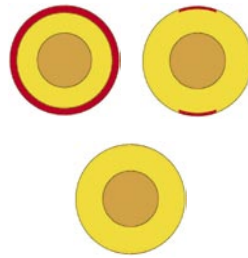
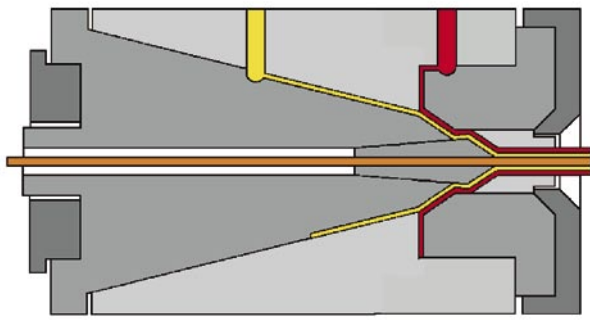
S fest zentriert
MS manuell oder fest zentriert

Kopfgehäuse

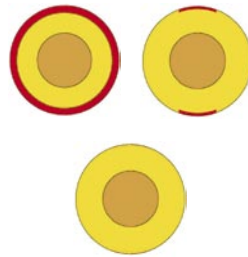
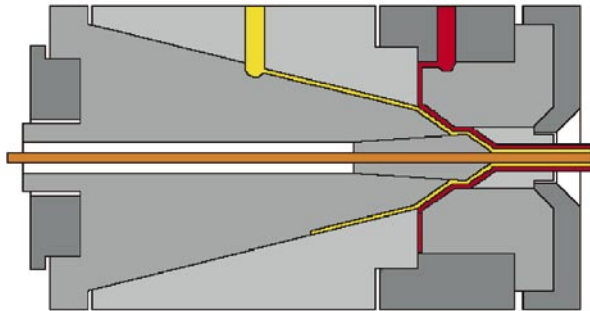
CC in Kompaktbauweise, aus einem Block gefertigt
C in Modubauweise, mit einer Trennung zwischen Grundkopf und Vorkopf - ermöglicht den Einsatz unterschiedlicher Vorköpfe.

Verteilpinolen

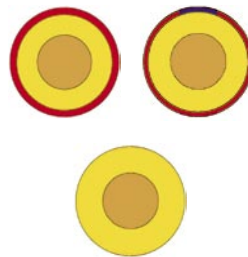
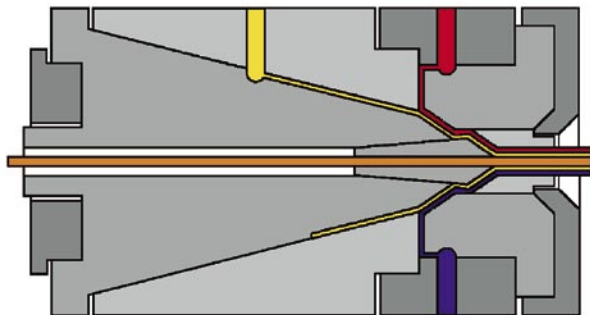
Alle Massenverteiler sind nach dem Prinzip der freien Masseverteilung mit einfacher oder doppelter Verteilkurve ohne Bohrungen oder Schlitze ausgelegt. Für spezielle Materialien stehen Pinolen in Sonderausführung zur Verfügung.



Type ...SCC-V



Type ...SC-V



Type ...SC-V-S



Type				Extrusion				Centering		Head Casing	
	d1min*	d1max*	d2max*	skin	stripe	single layer	skin and stripe	Zentrierung	Kopfgehäuse	CC	C
								S	MS		
UXH7SCC-V	0.25/0.009	5/0.196	7/0.275	●	●	●		●		●	
UXH7SC-V	0.25/0.009	5/0.196	7/0.275	●	●	●		●			●
UXH7FM-C	0.25/0.009	5/0.196	7/0.275	●	●	●			●	●	
UXH7SC-V-S	0.25/0.009	5/0.196	7/0.275	●		●	●	●			●
UXH14SC-V	0.5/0.019	12/0.472	14/0.551	●	●	●		●			●
UXH14SC-V-S	0.5/0.019	12/0.472	14/0.551	●		●	●	●			●
UXH14MSC-V	0.5/0.019	12/0.472	14/0.551	●	●	●			●		●
UXH20SC-V	1/0.039	12/0.472	20/0.787	●	●	●		●		●	
UXH30SC-V	3/0.118	25/0.984	30/1.181	●	●	●		●			●
U30SC-V-S	3/0.118	25/0.984	30/1.181	●		●	●	●			●
U30MSC-V	3/0.118	25/0.984	30/1.181	●	●	●			●		●
UXH50SCC-V	5/0.196	45/1.771	50/1.968	●	●	●		●		●	
UXH50SCC-V-S	5/0.196	45/1.771	50/1.968	●		●	●	●		●	
UXH50MSC-V	5/0.196	45/1.771	50/1.968	●	●	●			●	●	
U70SCC-V	7/0.275	60/2.362	70/2.755	●	●	●		●		●	
U100MCC-V	7/0.275	90/3.543	100/3.937	●	●	●			●	●	

* around

mm/inch mm/inch mm/inch

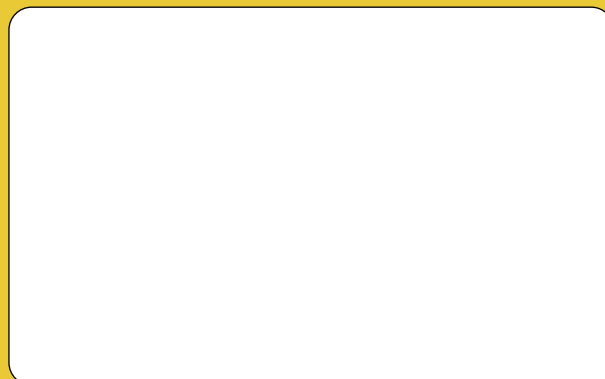


THE COMPANY AT A GLANCE

UNITEK is the worldwide leading manufacturer of fixed centered crossheads and add-on technology for the wire and cable industry. The company was founded in 1979 and ever since has been dedicated to providing innovative solutions for increased productivity to the extrusion industry around the world. Close contacts with cable and machinery manufacturers, high standards of research and development as

well as state-of-the-art production facilities for highest precision and quality have been the basis of UNITEK's philosophy from the very beginning. The UNITEK team of engineers, technicians and managers has a very strong background in the extrusion and cable industry and is dedicated to providing cutting-edge solutions for the requirements encountered by today's cable industry.

- Crossheads (fixed centered as well as manually centered) including add-on technology such as tips & dies, colour changing systems, bypasses, adapters, support trolleys and cartridge extraction devices
- Extrusion heads made of special steel alloy with unique curing technique
- Extremely durable crossheads with lifetimes of more than 60.000 hours of operation
- Close to zero scrap during start-up (using fixed-centred crossheads)
- Extremely high precision manufacturing
- Unrivalled concentricity during coating for reduced cost of materials
- Over 10 worldwide patents
- 800 satisfied customers in over 40 countries worldwide



Unitek Maschinenbau- und Handelsges. mbH | Vienna | Austria

Tel.: (43-1) 332 55 10 Fax.: (43-1) 332 55 15 E-mail: office@unitek.at Internet: www.unitek.at

We Make Leading Products Happen. www.unitek.at